

***NOTE:** REFER TO THE TOWN OF SOUTHINGTON ENGINEERING DEPARTMENT SPECIFICATIONS FOR ASPHALT PAVING AND SUBBASE SPECIFICATIONS

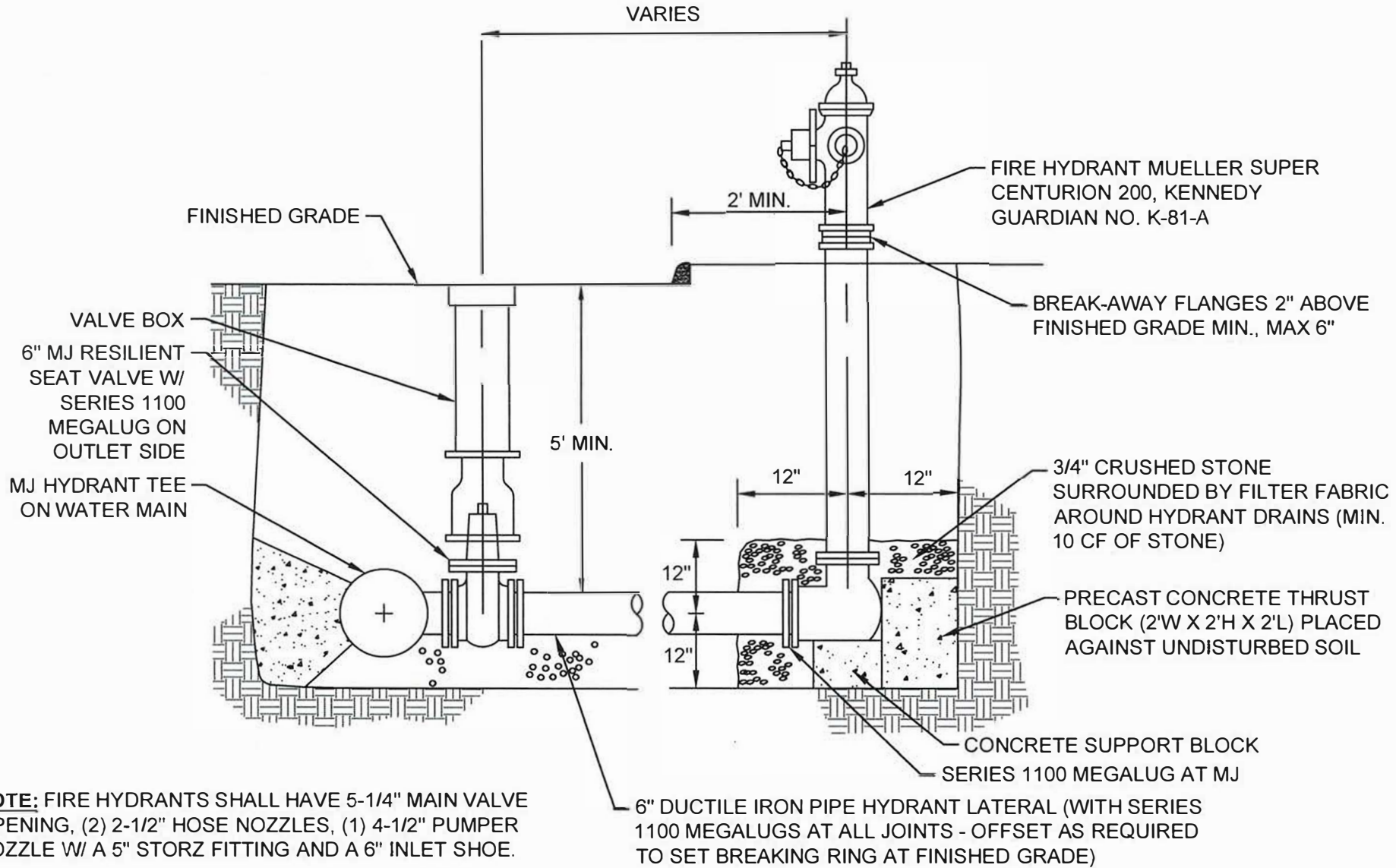


SOUTHINGTON WATER DEPARTMENT

WATER MAIN TRENCH DETAIL
NOT TO SCALE

DATE: 7/1/2016

DWG NO.: SD-1



NOTE: FIRE HYDRANTS SHALL HAVE 5-1/4" MAIN VALVE OPENING, (2) 2-1/2" HOSE NOZZLES, (1) 4-1/2" PUMPER NOZZLE W/ A 5" STORZ FITTING AND A 6" INLET SHOE.

6" DUCTILE IRON PIPE HYDRANT LATERAL (WITH SERIES 1100 MEGALUGS AT ALL JOINTS - OFFSET AS REQUIRED TO SET BREAKING RING AT FINISHED GRADE)

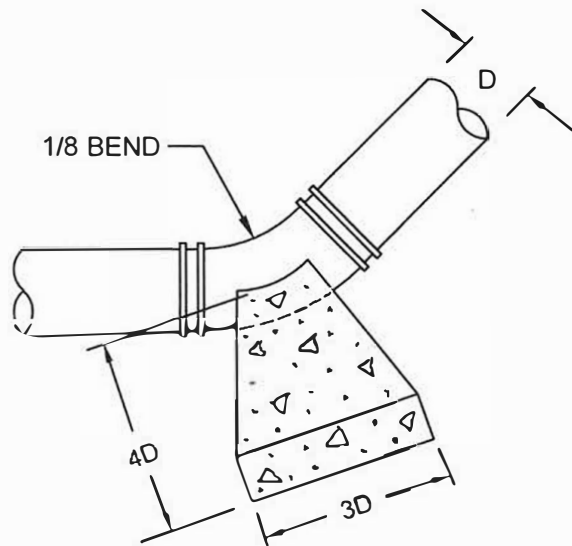


SOUTHINGTON WATER DEPARTMENT

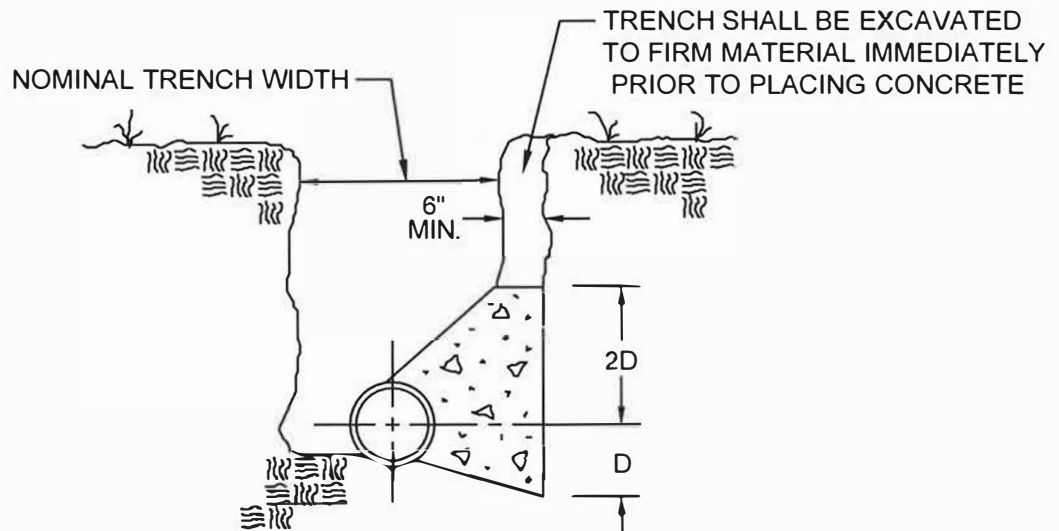
HYDRANT DETAIL
NOT TO SCALE

DATE: 7/1/2016

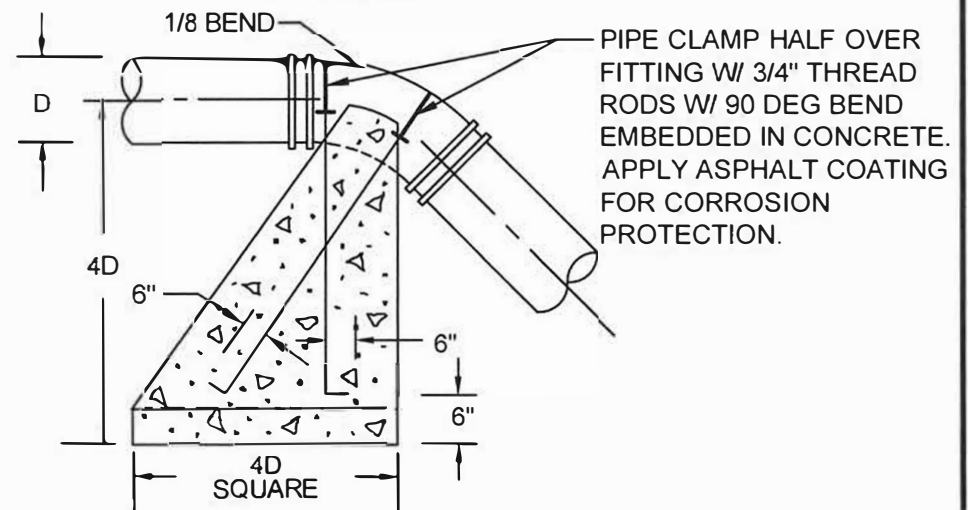
DWG NO.: SD-2



**HORIZONTAL THRUST BLOCK DETAIL
PLAN VIEW**



**HORIZONTAL THRUST BLOCK DETAIL
SECTION VIEW**



**VERTICAL THRUST BLOCK DETAIL
ELEVATION VIEW**

NOTES:

1. CONCRETE FOR THRUST BLOCKS SHALL BE PER SWD SPECIFICATIONS.
2. D-DIAMETER OF WATER MAIN.
3. MEGALUG RESTRAINING GLANDS SHALL BE USED ON ALL MJ FITTINGS
4. THRUST BLOCKS SHALL BE INSTALLED AT ALL PERMANENT HORIZONTAL CHANGES IN DIRECTION OR AS DIRECTED BY THE ENGINEER.
5. ALL TEES, BENDS, PLUGS, ETC. SHALL BE WRAPPED IN 8 MIL POLY PRIOR TO CONCRETE PLACEMENT.

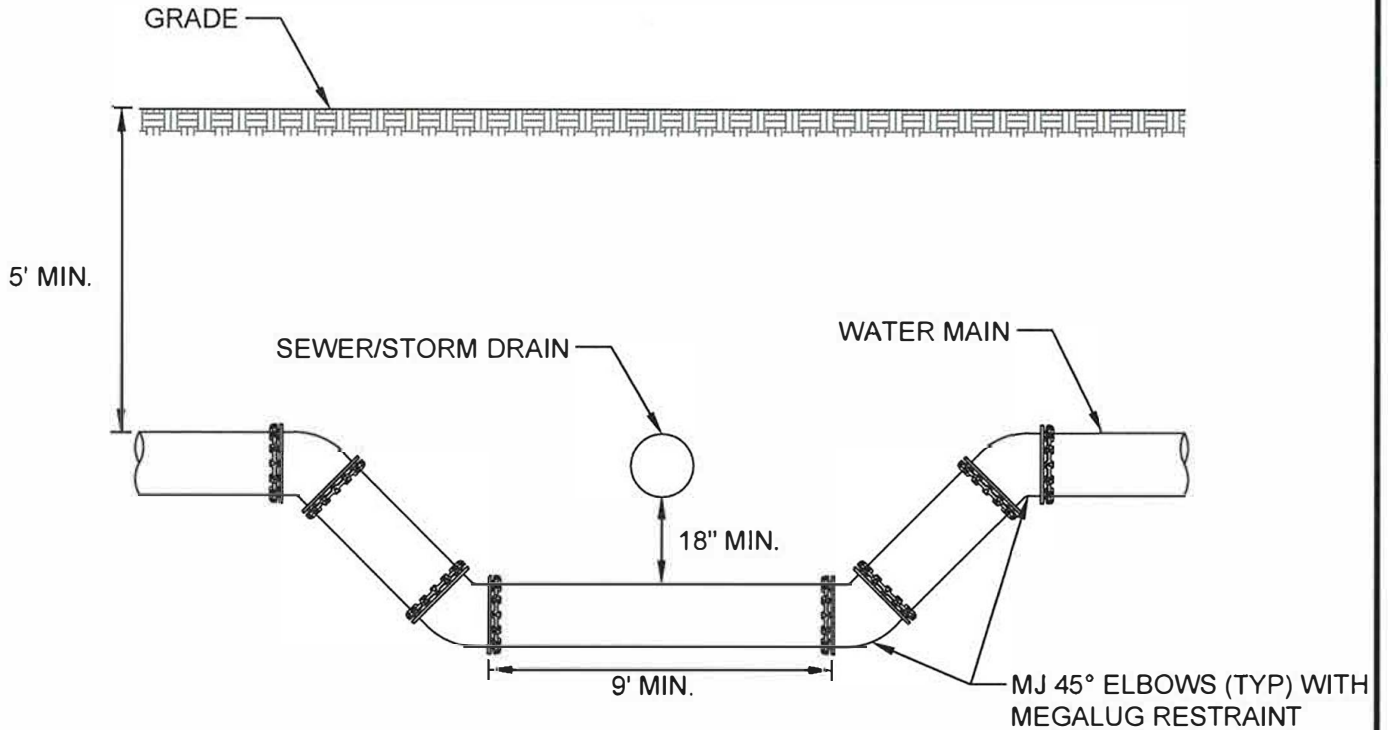


**SOUTHINGTON WATER
DEPARTMENT**

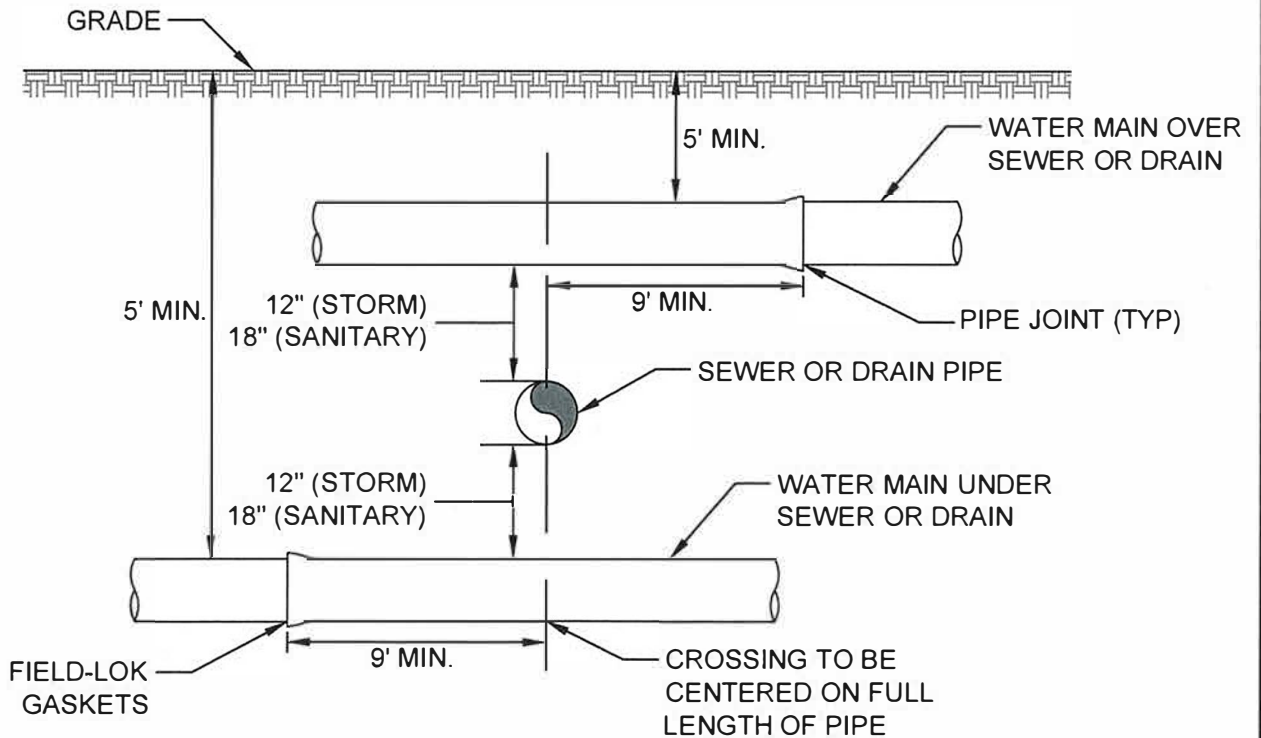
**THRUST BLOCK DETAILS
NOT TO SCALE**

DATE: 7/1/2016

DWG NO.: SD-3



NOTE: PIPE MAY BE DEFLECTED (WITHIN MANUFACTURER'S TOLERANCE) BENEATH SEWER/STORM DRAIN WHERE PERMITTED BY THE SWD



NOTE: PROVIDE SAND CUSHION IF DISTURBED. PROPER BEDDING AT THE DISCRETION OF THE SWD.

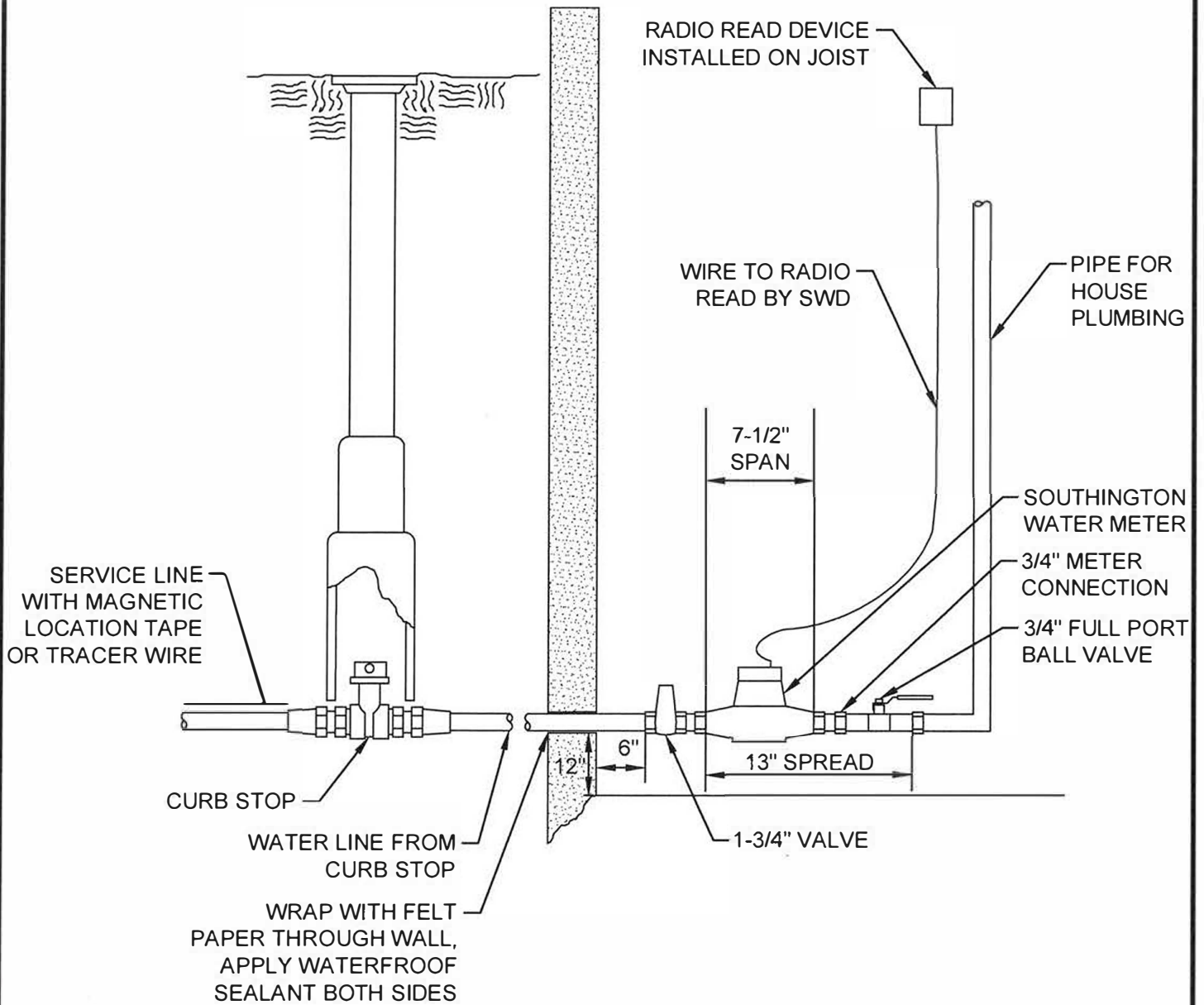


SOUTHINGTON WATER DEPARTMENT

SEWER/STORM DRAIN CROSSING DETAIL
NOT TO SCALE

DATE: 7/1/2016

DWG NO.: SD-4



NOTE: FOR SERVICE LINE INSTALLATIONS THROUGH A SLAB THE SERVICE LINE SHALL BE INSTALLED WITHIN A MIN. 3" PVC SLEEVE WITH LINK SEAL ADJACENT TO FOUNDATION WALL

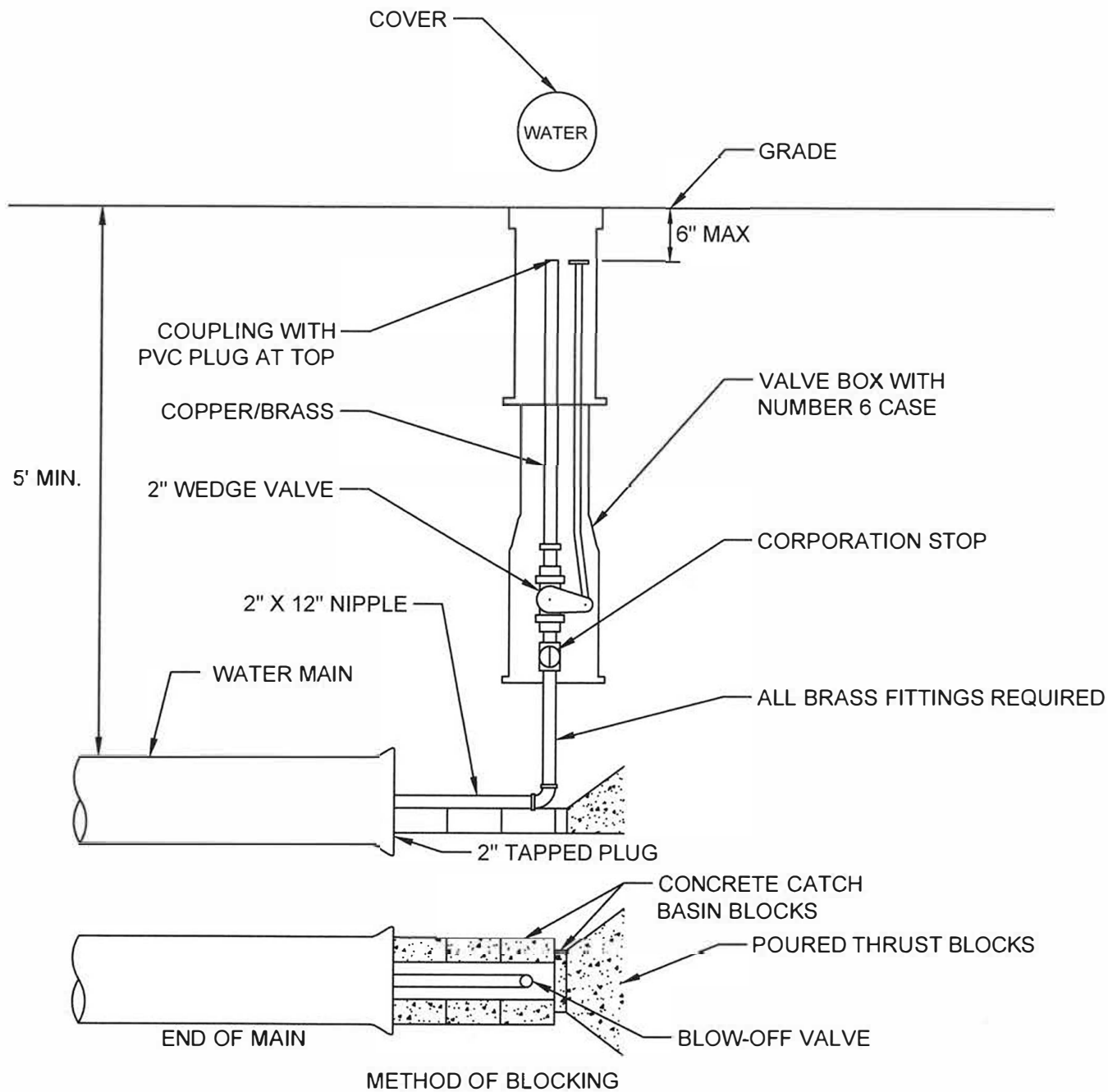


SOUTHINGTON WATER DEPARTMENT

TYPICAL WATER METER INSTALLATION FOR RESIDENTIAL 5/8" AND 3/4" METERS
NOT TO SCALE

DATE: 7/1/2016

DWG NO.: SD-5

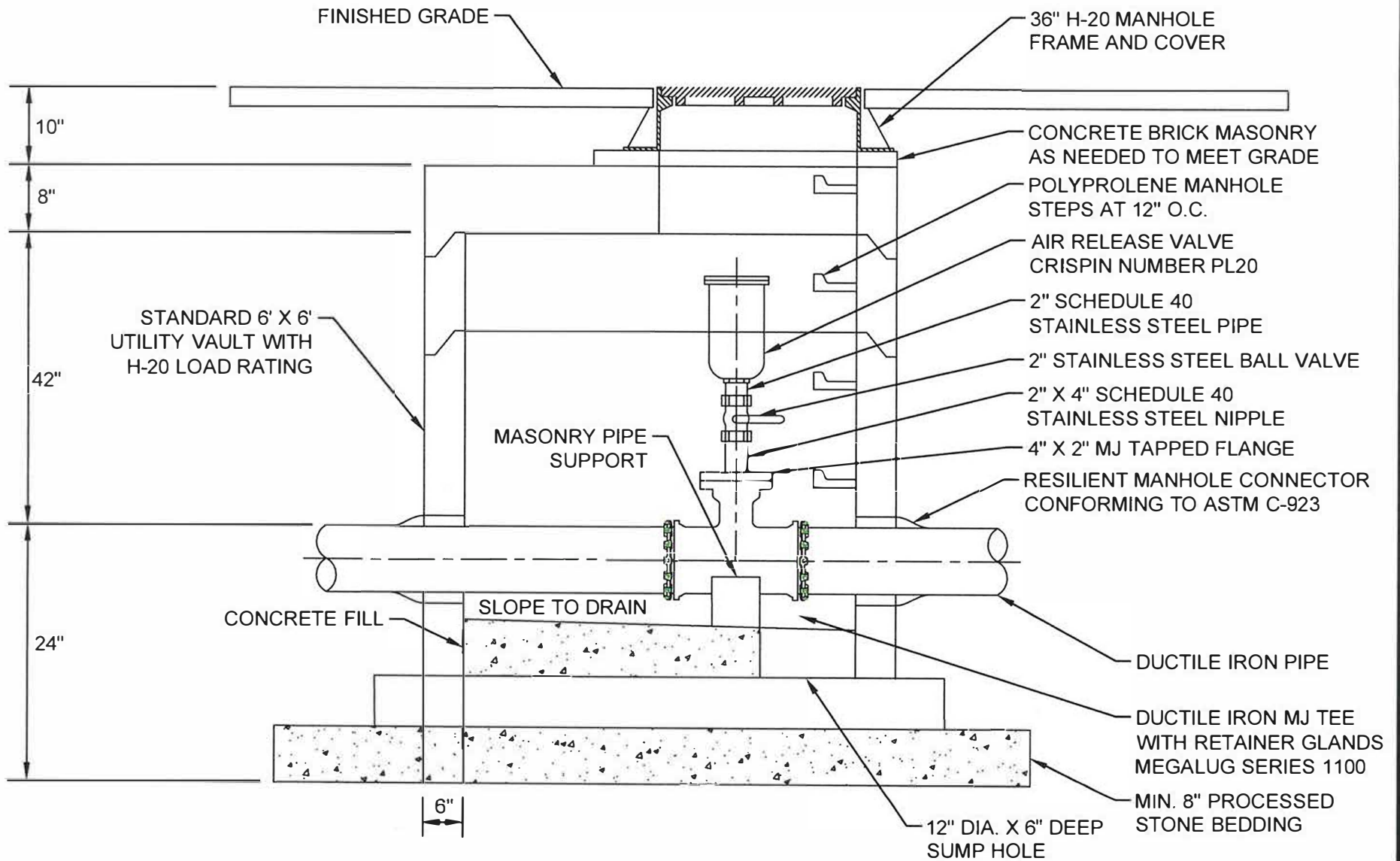


**SOUTHINGTON WATER
DEPARTMENT**

**WATER MAIN
BLOW-OFF DETAIL
NOT TO SCALE**

DATE: 7/1/2016

DWG NO.: SD-6

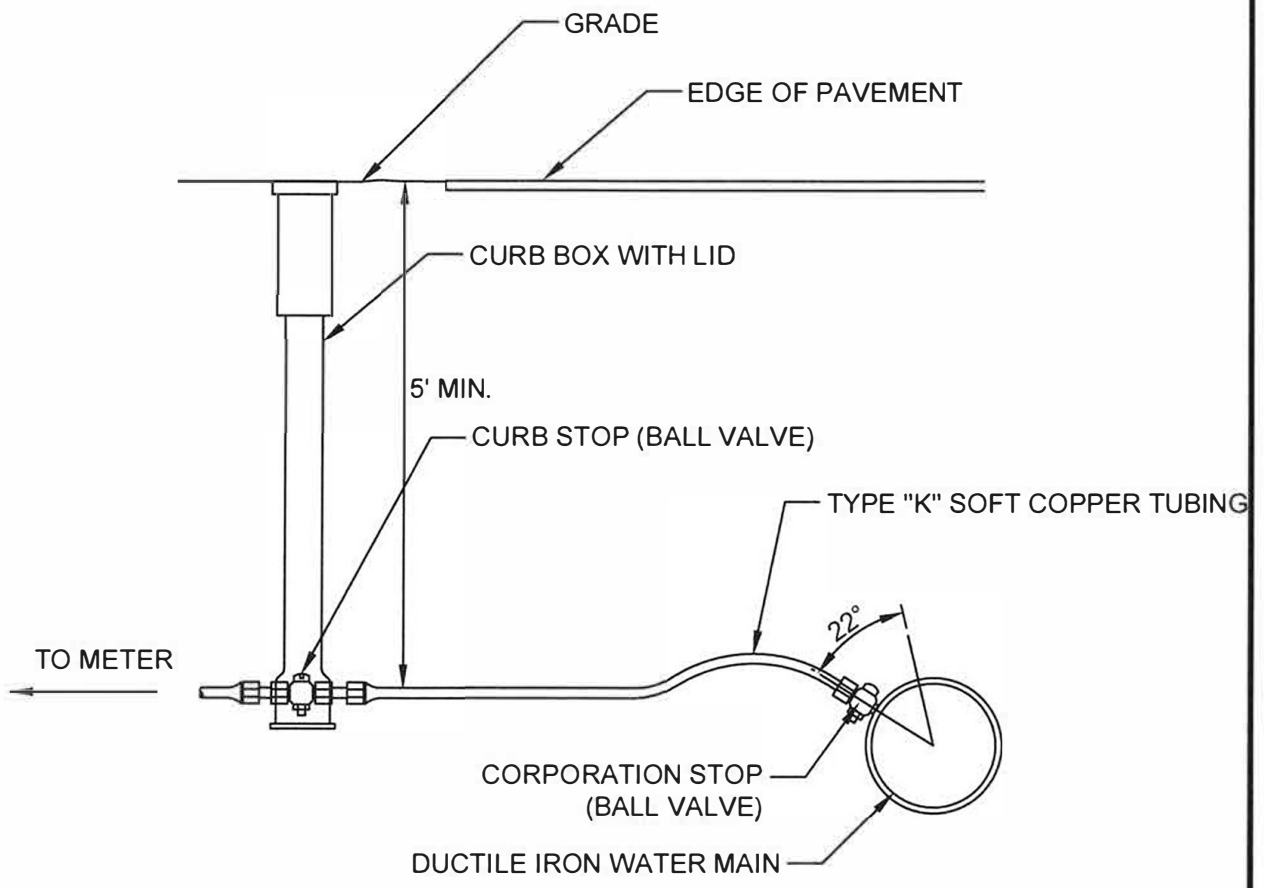
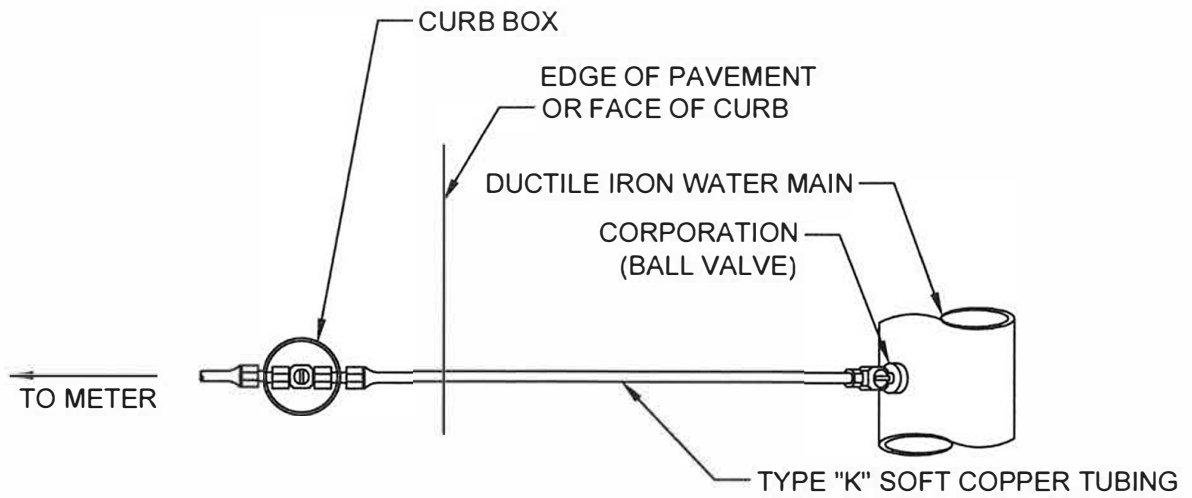


**SOUTHINGTON WATER
DEPARTMENT**

**AUTOMATIC AIR RELEASE
MANHOLE DETAIL**
NOT TO SCALE

DATE: 7/1/2016

DWG NO.: SD-7



NOTE: 6" OF SAND BEDDING SHALL BE PLACED ABOVE AND BELOW THE TUBING

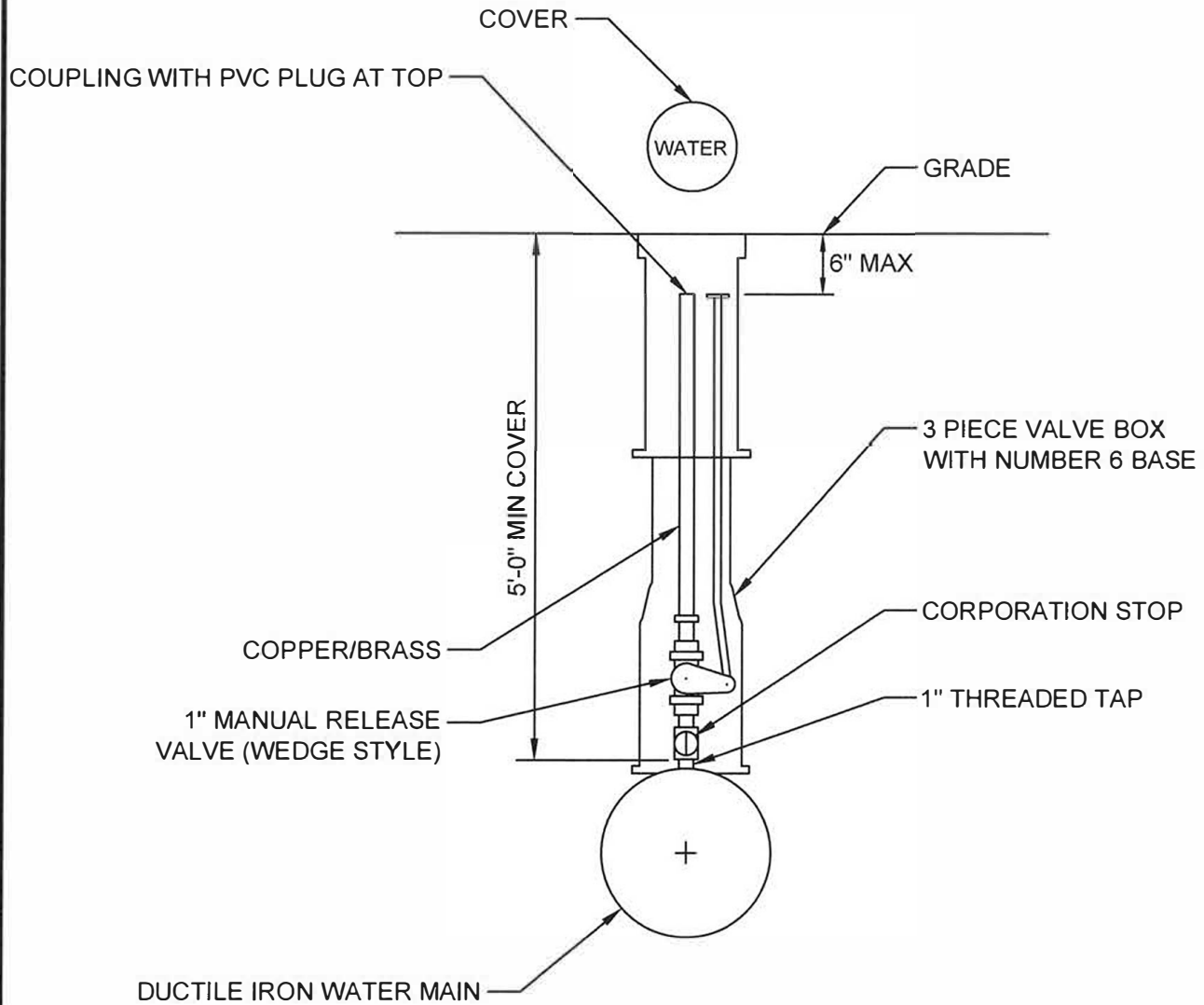


SOUTHINGTON WATER DEPARTMENT

WATER SERVICE DETAIL
NOT TO SCALE

DATE: 1-31-2019

DWG NO.: SD-8



**SOUTHINGTON WATER
DEPARTMENT**

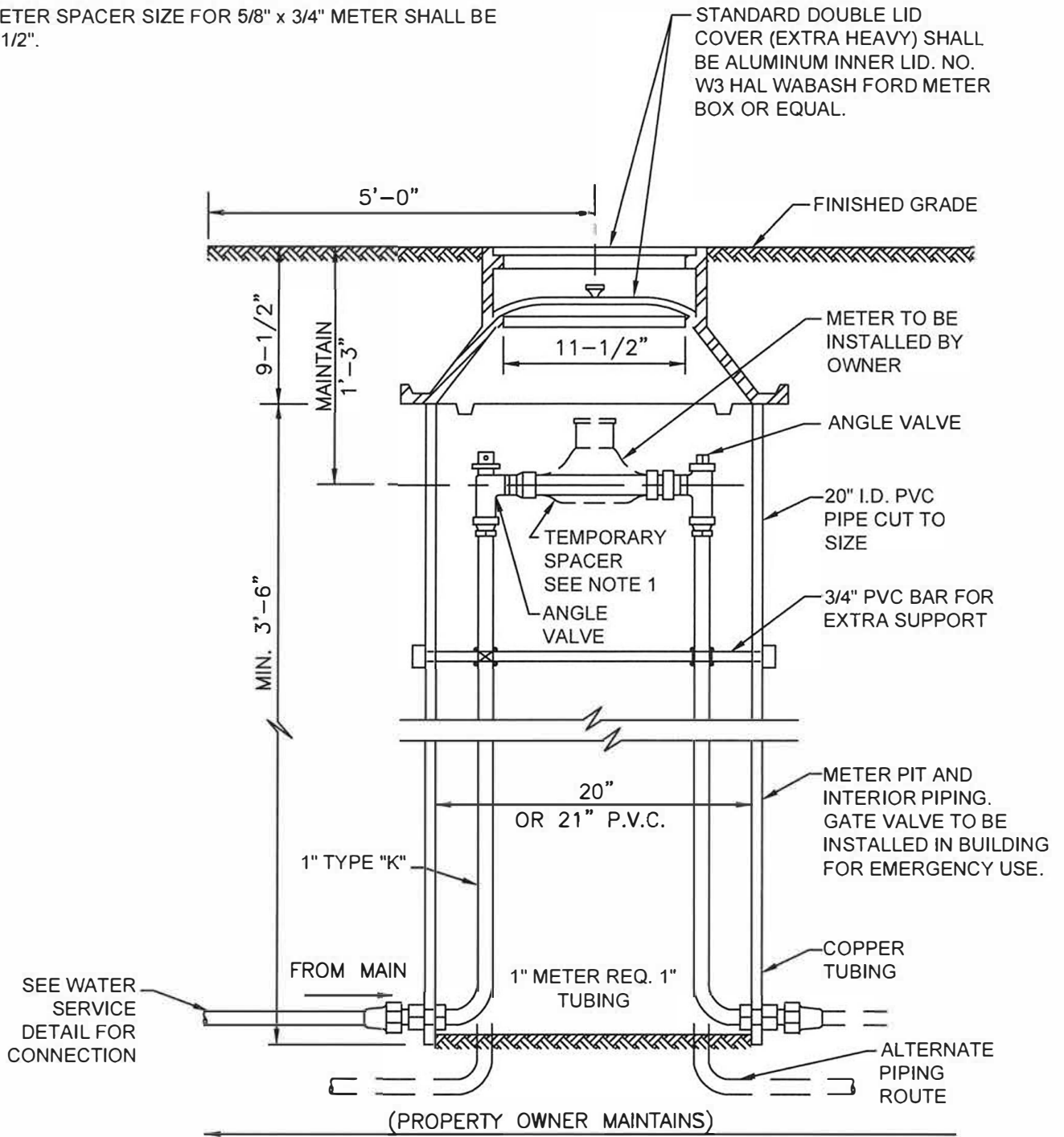
**MANUAL AIR RELEASE
VALVE DETAIL
NOT TO SCALE**

DATE: 7/1/2016

DWG NO.: SD-9

NOTES:

- METER SPACER SIZE FOR 5/8" x 3/4" METER SHALL BE 7-1/2".



SOUTHINGTON WATER DEPARTMENT

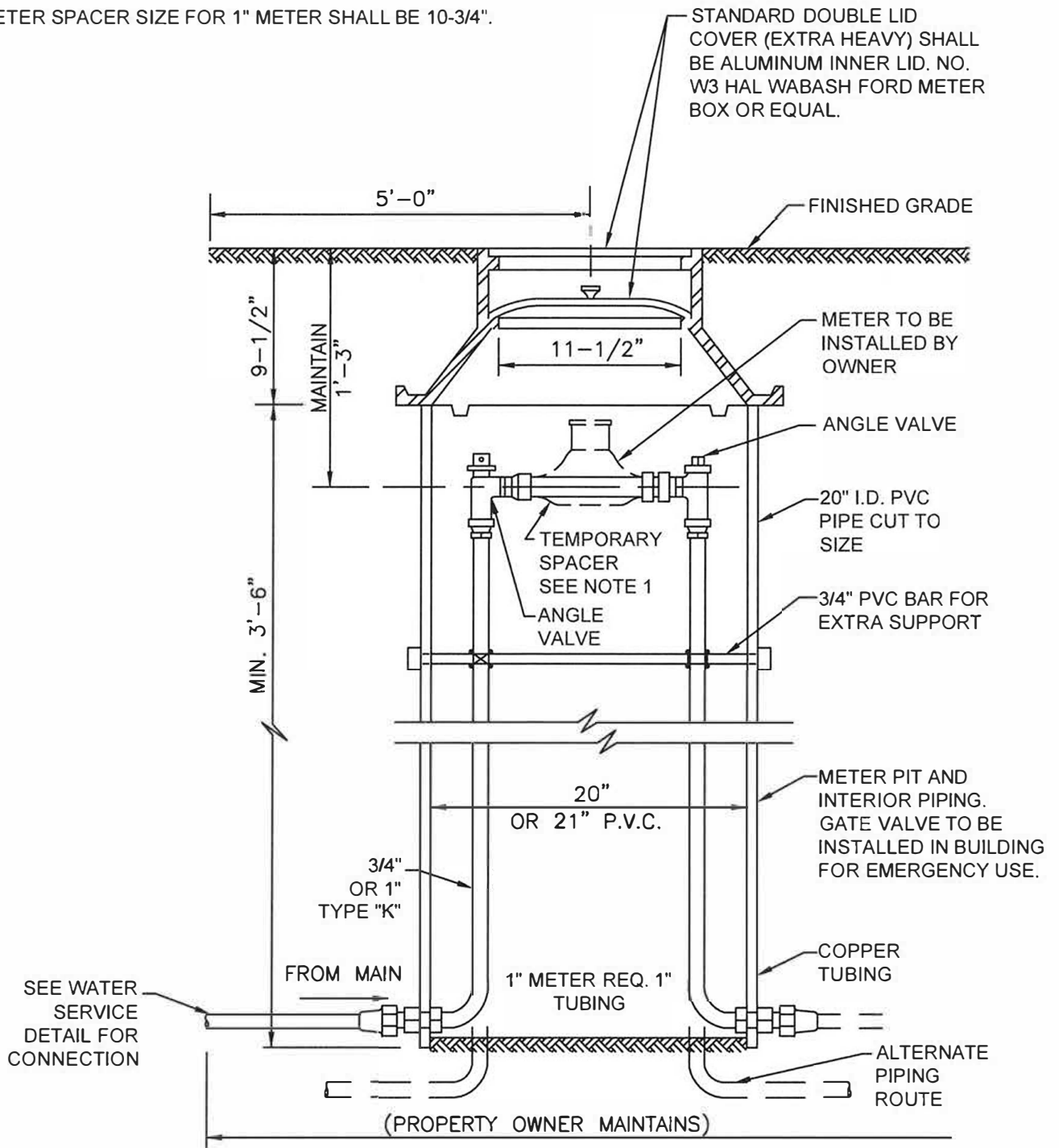
METER PIT DETAIL FOR 1" METER PITS WITH 7-1/2" SPREAD NO-LEAD BRASS
NOT TO SCALE

DATE: 1-31-2019

DWG NO.: SD-10

NOTES:

- METER SPACER SIZE FOR 1" METER SHALL BE 10-3/4".



SOUTHINGTON WATER DEPARTMENT

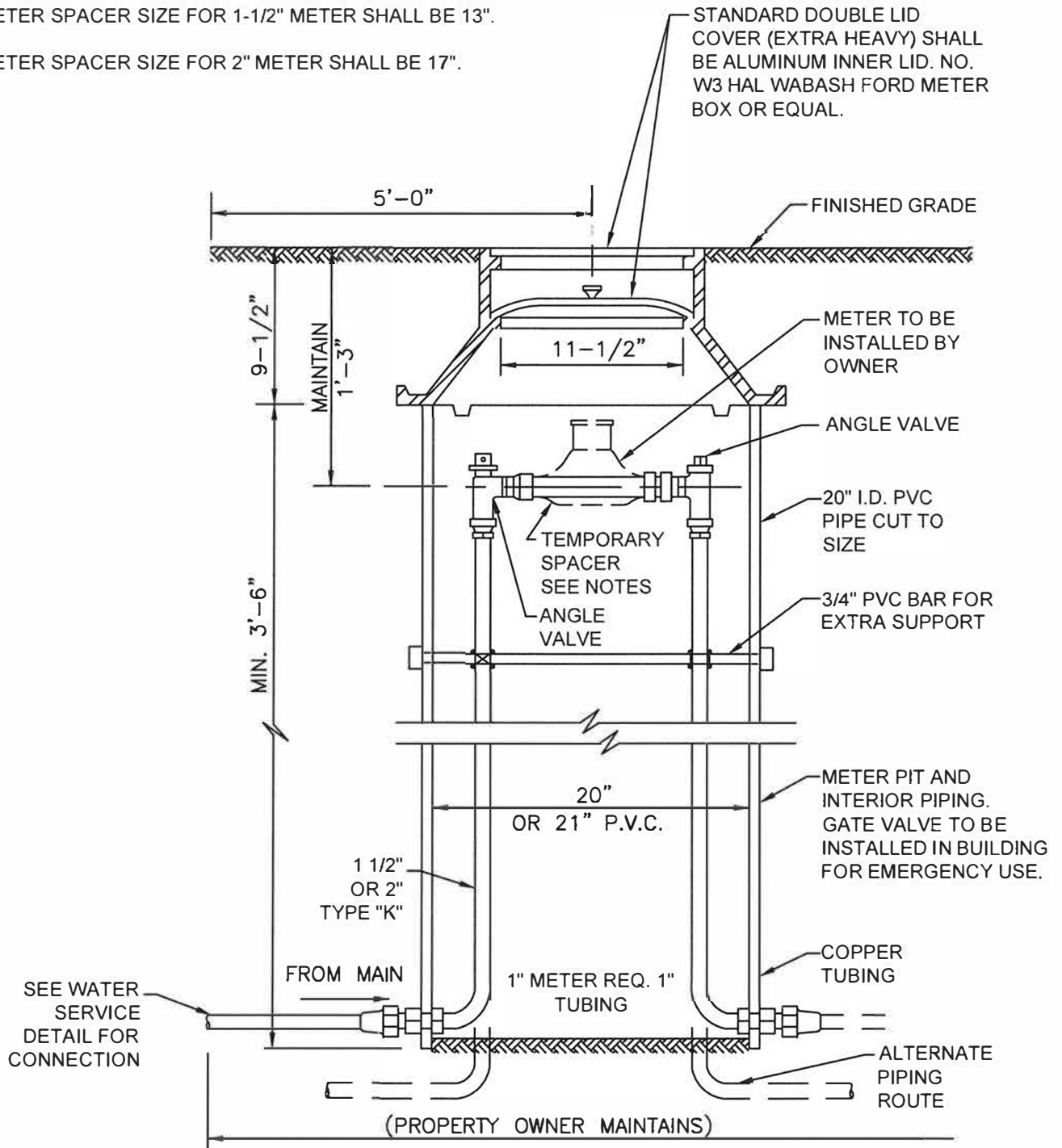
METER PIT INSTALLATION DETAIL FOR 1" METER PIT WITH NO-LEAD BRASS
NOT TO SCALE

DATE: 7/1/2016

DWG NO.: SD-11

NOTES:

1. METER SPACER SIZE FOR 1-1/2" METER SHALL BE 13".
2. METER SPACER SIZE FOR 2" METER SHALL BE 17".

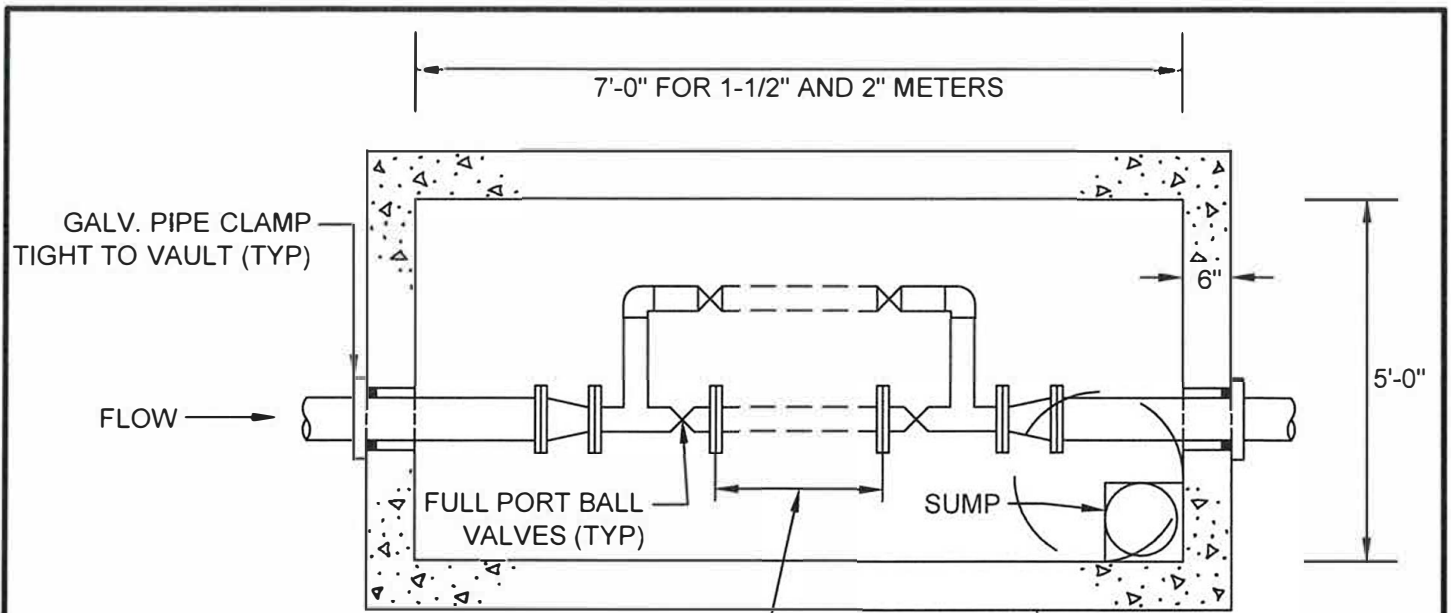


SOUTHINGTON WATER DEPARTMENT

**METER PIT DETAIL FOR
1-1/2" AND 2" METERS
NOT TO SCALE**

DATE: 1-31-2019

DWG NO.: SD-12

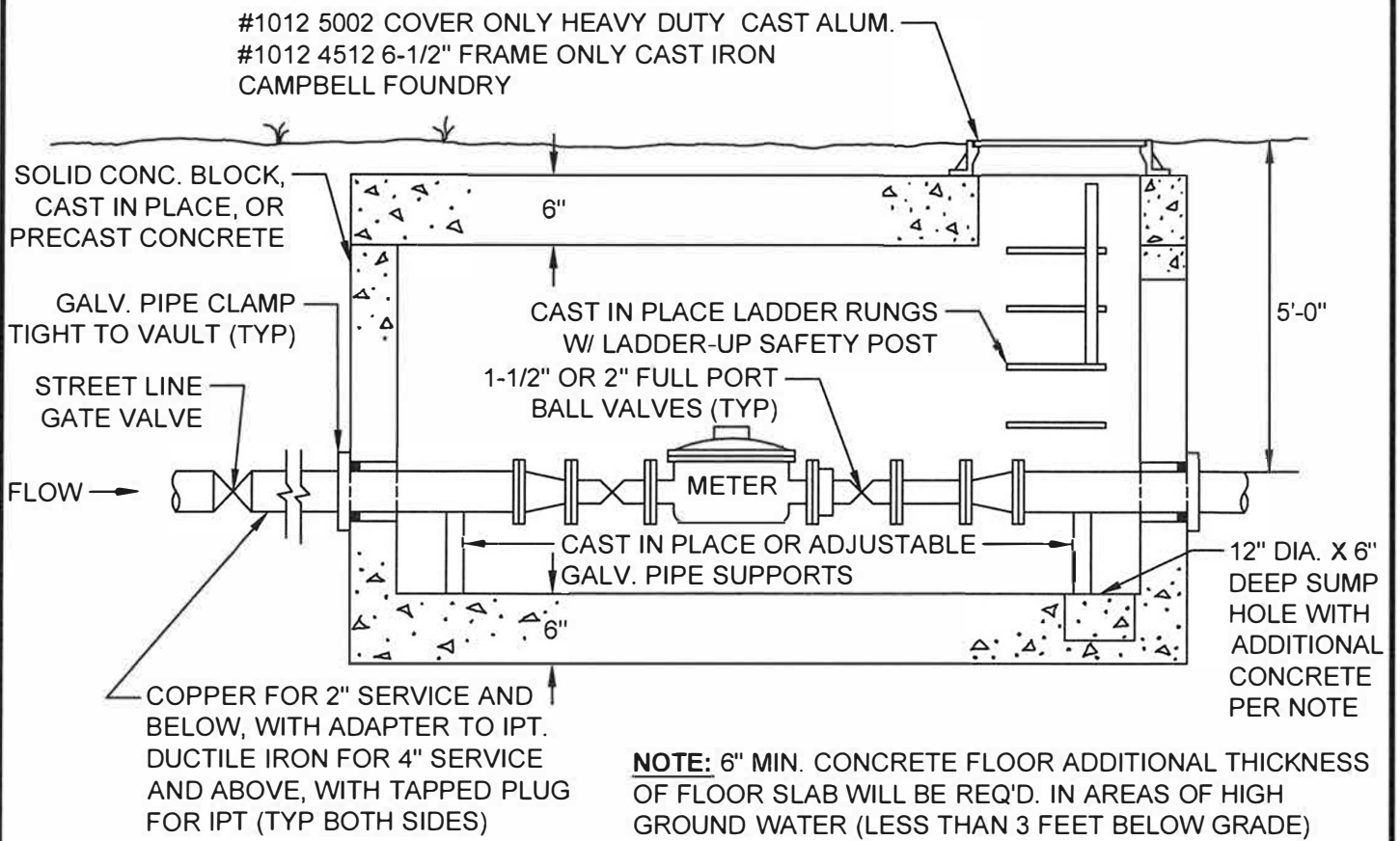


NOTES:

1. PIT DESIGN FOR OFF PAVEMENT LOCATIONS. INSTALLATION OF PIT IN ROADWAY REQUIRE H-20 DESIGN LOADING FOR CONCRETE PIT AND COVER.
2. BYPASS INSTALLED AS APPROVED BY SWD

CALL SWD FOR METER SPREAD MEASUREMENT AND SIZE

H-20 PRECAST PIT OR AS APPROVED BY SWD

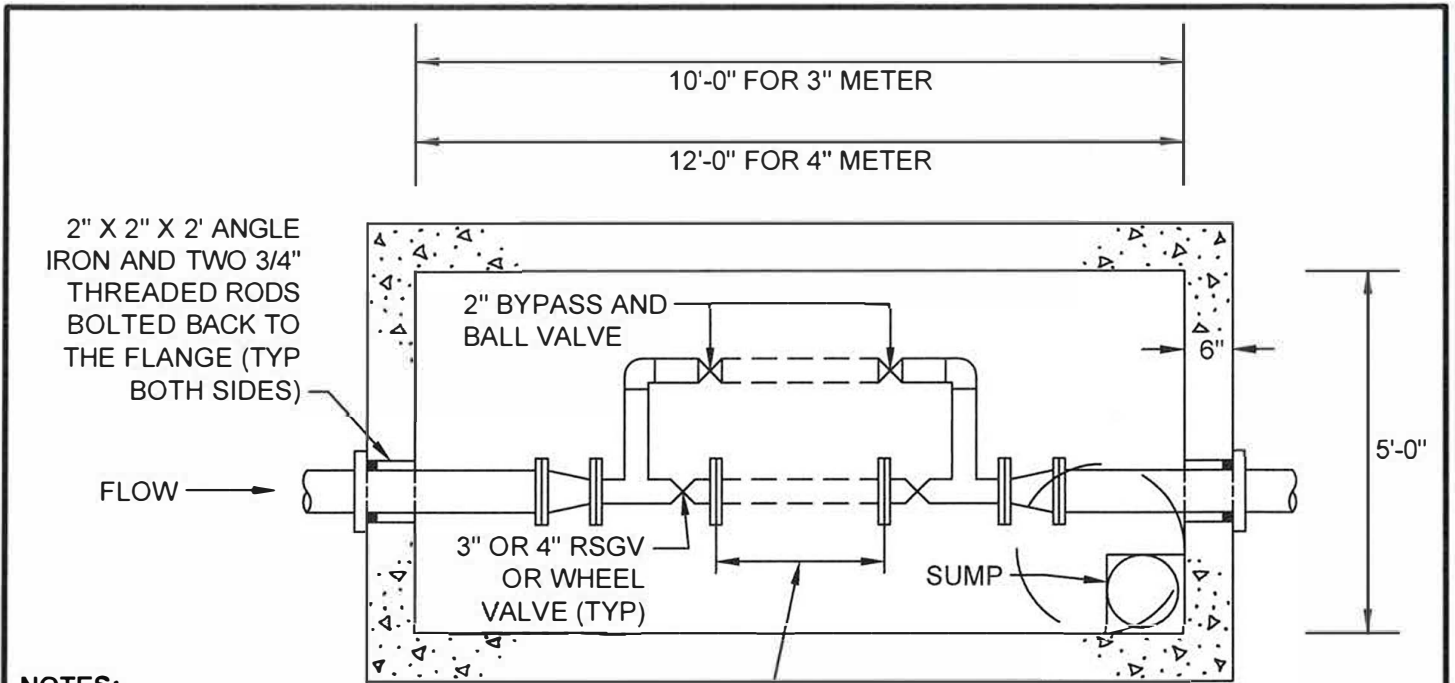


SOUTHINGTON WATER DEPARTMENT

**METER PIT DETAIL FOR
1-1/2" AND 2" METERS
NOT TO SCALE**

DATE: 7/1/2016

DWG NO.: SD-13

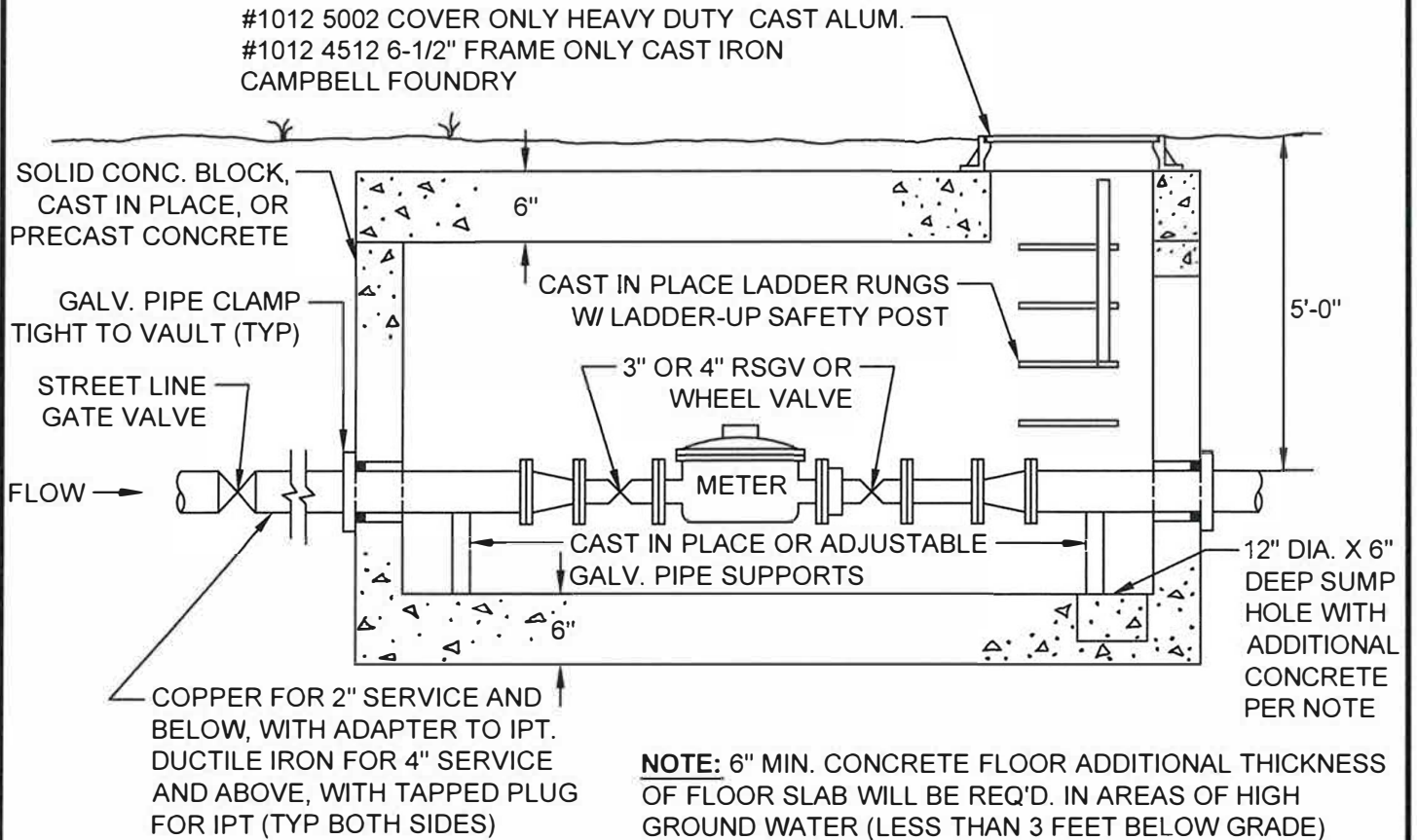


NOTES:

1. PIT DESIGN FOR OFF PAVEMENT LOCATIONS. INSTALLATION OF PIT IN ROADWAY REQUIRE H-20 DESIGN LOADING FOR CONCRETE PIT AND COVER.
2. BYPASS INSTALLED AS APPROVED BY SWD

CALL SWD FOR METER SPREAD MEASUREMENT AND SIZE

H-20 PRECAST PIT OR AS APPROVED BY SWD



NOTE: 6" MIN. CONCRETE FLOOR ADDITIONAL THICKNESS OF FLOOR SLAB WILL BE REQ'D. IN AREAS OF HIGH GROUND WATER (LESS THAN 3 FEET BELOW GRADE)



SOUTHINGTON WATER DEPARTMENT

**METER PIT DETAIL FOR
3" AND 4" METERS
NOT TO SCALE**

DATE: 1-31-2019

DWG NO.: SD-14

MECHANICAL JOINT
DUCTILE IRON ELBOW

TEE BOLTS/NUTS
TIGHTENED IN
ACCORDANCE WITH
MANUFACTURER'S
SPECIFICATIONS

DUCTILE IRON PIPE

MEGALUG SERIES 1100 RESTRAINT GLANDS

THRUST BLOCK

MEGALUG SERIES 1100 RESTRAINT GLAND (TYP)

SPOOL PIECE SHALL BE MIN.
24" WITH TWO MEGALUGS

UNDISTURBED SOIL (TYP)

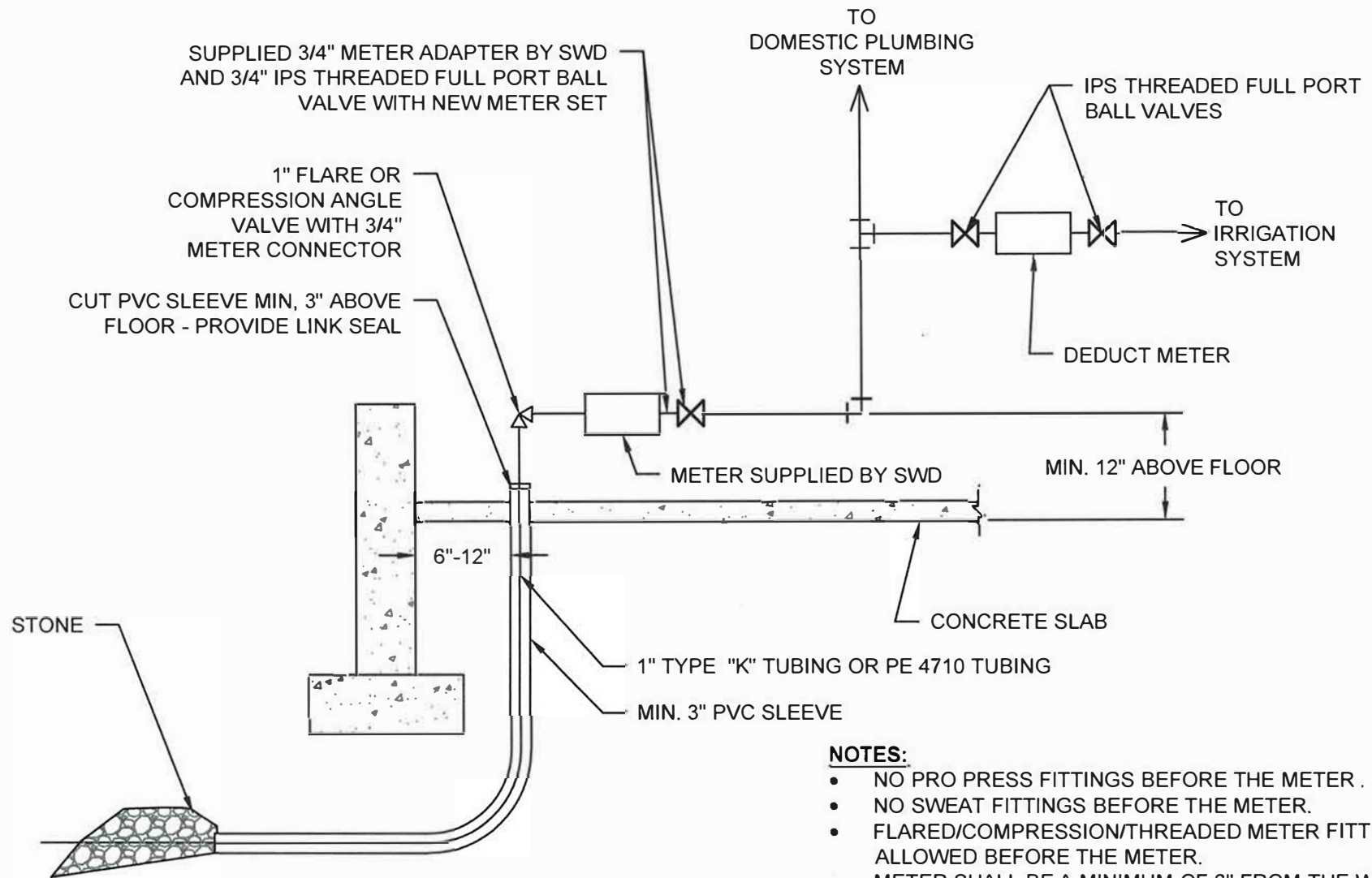


**SOUTHINGTON WATER
DEPARTMENT**

**RESTRAINT DETAIL OF MECHANICAL
JOINT FITTINGS AND BENDS**
NOT TO SCALE

DATE: 7/1/2016

DWG NO.: SD-15



NOTES:

- NO PRO PRESS FITTINGS BEFORE THE METER .
- NO SWEAT FITTINGS BEFORE THE METER.
- FLARED/COMPRESSION/THREADED METER FITTINGS ALLOWED BEFORE THE METER.
- METER SHALL BE A MINIMUM OF 6" FROM THE WALL.
- NO OBSTRUCTIONS ALLOWED IN FRONT OF METER. METER MUST BE ACCESSIBLE AT ALL TIMES.

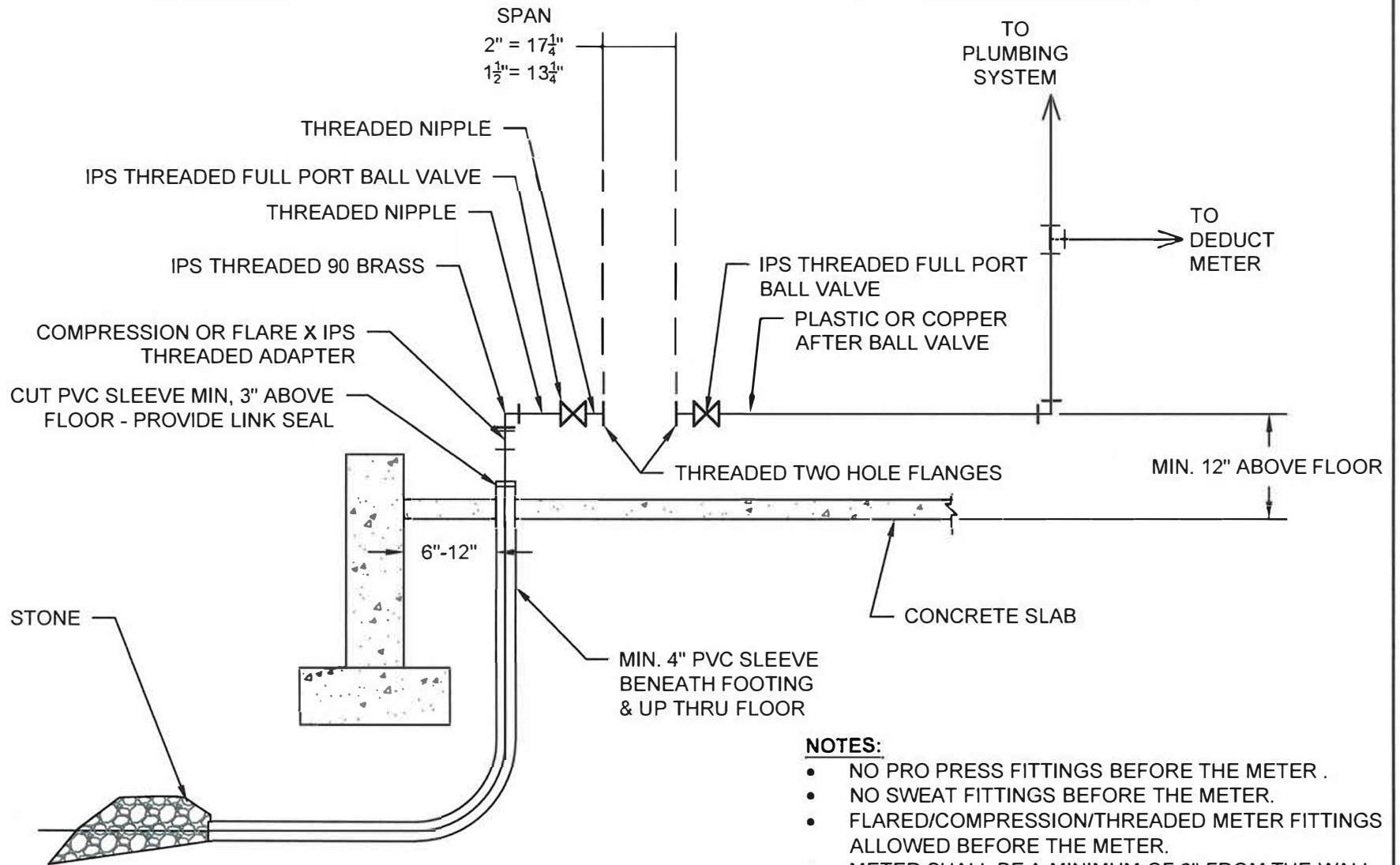


SOUTHINGTON WATER DEPARTMENT

TYPICAL RESIDENTIAL 5/8"-3/4" METER W/DEDUCT METER THRU FLOOR
NOT TO SCALE

DATE: 5/15/2020

DWG NO.: SD-16



NOTES:

- NO PRO PRESS FITTINGS BEFORE THE METER .
- NO SWEAT FITTINGS BEFORE THE METER.
- FLARED/COMPRESSION/THREADED METER FITTINGS ALLOWED BEFORE THE METER.
- METER SHALL BE A MINIMUM OF 6" FROM THE WALL.
- NO OBSTRUCTIONS ALLOWED IN FRONT OF METER. METER MUST BE ACCESSIBLE AT ALL TIMES.



SOUTHINGTON WATER DEPARTMENT

TYPICAL COMMERCIAL SERVICE
1-1/2" TO 2" THRU FLOOR
 NOT TO SCALE

DATE: 5/20/2020

DWG NO.: SD-17

1" TYPE "K" TUBING OR PE 4710 TUBING

FOUNDATION WALL

METER SUPPLIED BY SWD

MIN. 6" FROM WALL

1" FLARE OR COMPRESSION
ANGLE VALVE WITH 3/4"
METER CONNECTION

SUPPLIED 3/4" METER ADAPTER BY SWD
AND 3/4" IPS THREADED FULL PORT
BALL VALVE WITH NEW METER SET

IPS THREADED FULL PORT
BALL VALVES

TO
IRRIGATION
SYSTEM

TO
DOMESTIC PLUMBING
SYSTEM

DEDUCT METER

NOTES:

- NO PRO PRESS FITTINGS BEFORE THE METER .
- NO SWEAT FITTINGS BEFORE THE METER.
- FLARED/COMPRESSION/THREADED METER FITTINGS ALLOWED BEFORE THE METER.
- METER SHALL BE A MINIMUM OF 12" OFF THE FLOOR.
- NO OBSTRUCTIONS ALLOWED IN FRONT OF METER. METER MUST BE ACCESSIBLE AT ALL TIMES.

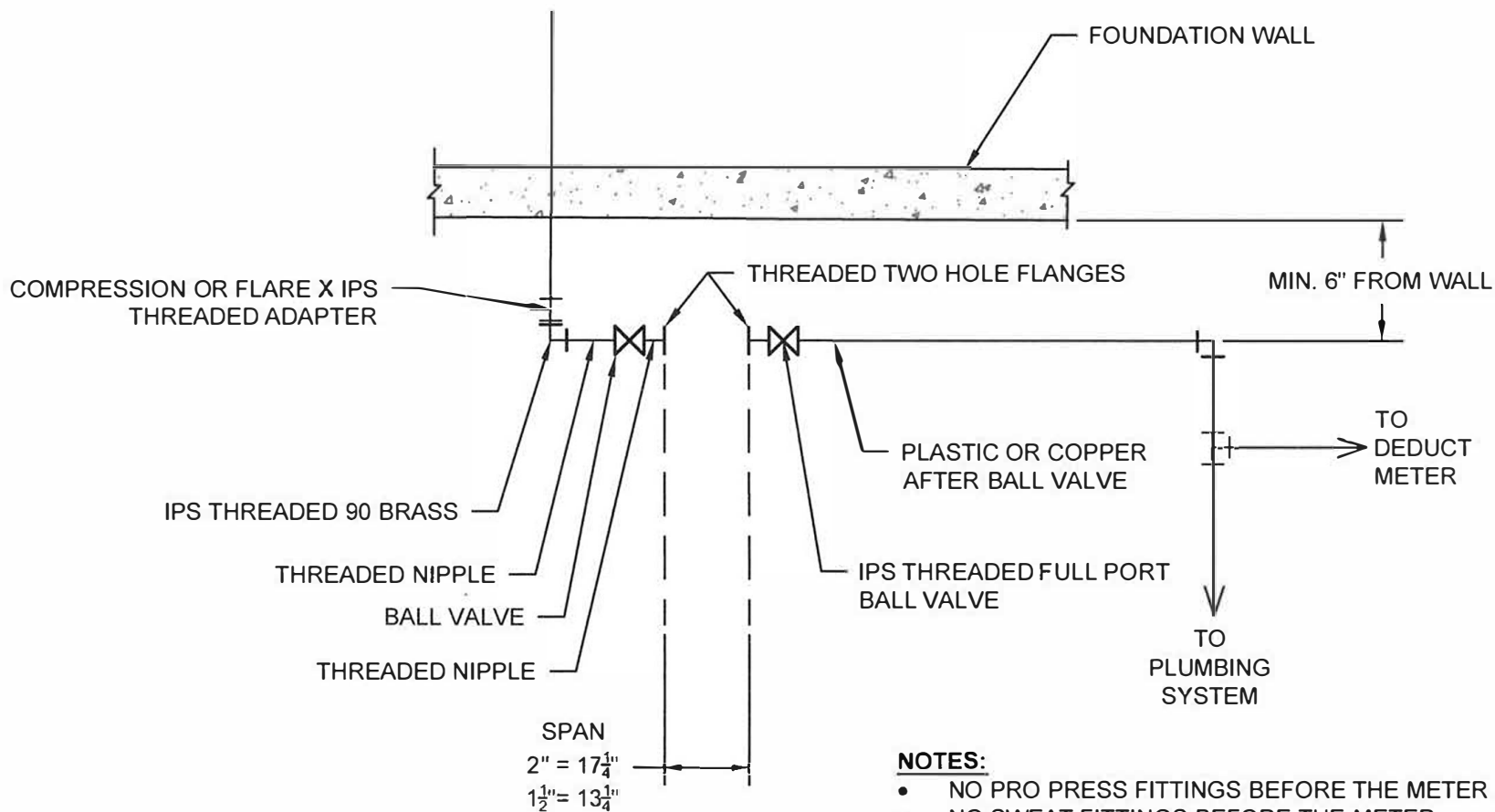


**SOUTHINGTON WATER
DEPARTMENT**

**TYPICAL RESIDENTIAL 5/8"-3/4" METER
W/DEDUCT METER THRU WALL
NOT TO SCALE**

DATE: 5/15/2020

DWG NO.: SD-18



NOTES:

- NO PRO PRESS FITTINGS BEFORE THE METER .
- NO SWEAT FITTINGS BEFORE THE METER.
- FLARED/COMPRESSION/THREADED METER FITTINGS ALLOWED BEFORE THE METER.
- METER SHALL BE A MINIMUM OF 12" OFF THE FLOOR.
- NO OBSTRUCTIONS ALLOWED IN FRONT OF METER. METER MUST BE ACCESSIBLE AT ALL TIMES.



SOUTHINGTON WATER DEPARTMENT

**TYPICAL COMMERCIAL SERVICE
1-1/2" TO 2" THRU WALL
NOT TO SCALE**

DATE:05/15/2020

DWG NO.: SD-19